

Jasmart

JASMART ELECTRIC (CHINA) CO.,LTD.

Add: Building 25#, NO.55 Huichuan Road, Xizhou Xiangshan Ningbo China

<http://www.jasmart.com>

E-mail: info@jasmart.com

sales@jasmart.com

Tel: +86-574-65833123

Fax: +86-574-65869555



Switches & Sockets

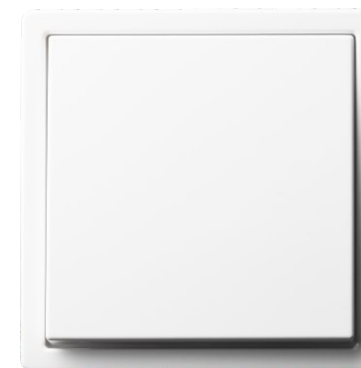
IEC 60669
IEC 60884

Jasmart

ELECTRIC



EUROPEAN STANDARD



NINGBO CLEVER ELEPHANT ELECTRIC CO., LTD. (JASMART) is a professional engaged in low-voltage electrical R&D, production, marketing enterprises. Established in 1996, It provides with wide range and high quality products and services to customers all over the world.

The headquarters and the production base is located in Xizhou Industrial Area of Xiangshan, Ningbo, China. The factory covers an area of more than 15,000 square meters, construction area of more than 5,000 square meters, there are more than 200 staffs. The annual output of switch, socket and Other electrical products has reached more than 20,000,000 sets.

Jasmart adhering to the innovation concept "design makes life better", insist for researching, developing and fine manufacturing. After years of development, Clever Elephant electric always adhere to a high standard "professional, security". Through with lots of Strategic cooperation of European design company, with excellent product quality and perfect service system, Jasmart continue to guide the electrical products market development trend well.

With the quickening pace of globalization, Jasmart electric will in a professional, fashion brand image and high quality products, dedicated to providing more quality and satisfactory service to global customers.



Perfection in details

The Jasmart FD series features a design that has become a classic.

Our goal is not just to create switches and sockets, but an impeccable accent that harmoniously exists in the space interior and highlights its style and main idea.

Key features:

- Ultra-thin profile
- Absolute harmony and purity of lines
- Premium materials
- Adaptability to design style
- Universality and reliability



Elegant Jasmart socket with USB

The Jasmart socket is more than just a connection point—it's a stylish accent for your wall! Enjoy fast charging (25W) for your devices through the convenient built-in USB Type-C and Type-A ports, without cluttering your space with adapters.

The main highlight is a palette of 7 stunning shades, ranging from understated matte finishes (white, black, nickel, bronze) to luxurious glossy tones (white, tauper, sugar). Choose the perfect color to accentuate the individuality of your interior. A flawless combination of impeccable design and modern charging technology.

Features:

- 7 designer colors
- Integrated charging: USB-C and USB-A ports with 25W power
- Modern technology eliminates the need for separate charging devices
- Fast and efficient charging for smartphones and tablets
- Universality — compatible with most USB devices



Card Switch Jasmart FD series

Effective energy conservation in hotels

Benefits:

- Significant energy savings
- Simple and reliable mechanical design
- Premium materials
- Uses a standard hotel key card



Telecommunications Sockets

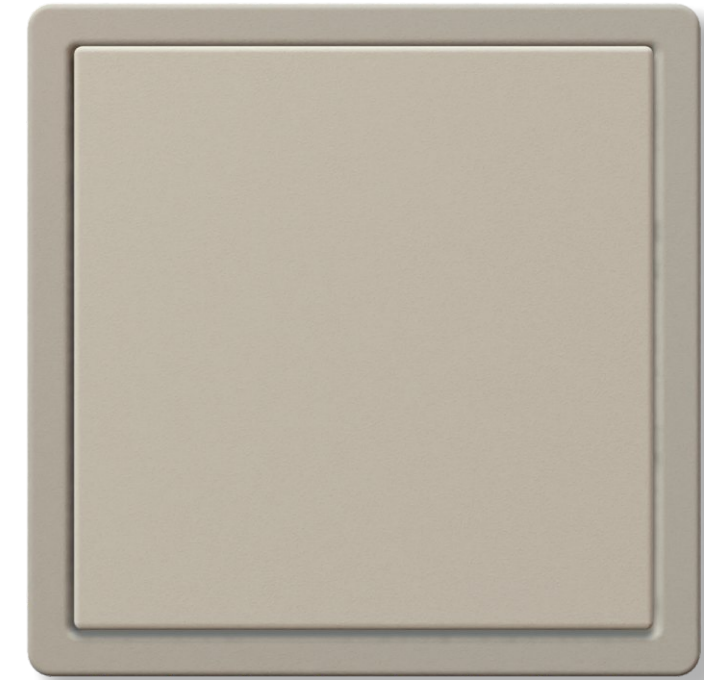




White Glossy



Pure White Matte
(Soft Touch)



Sachara



Pure Taupe Matte
(Soft Touch)



Gold Bronze

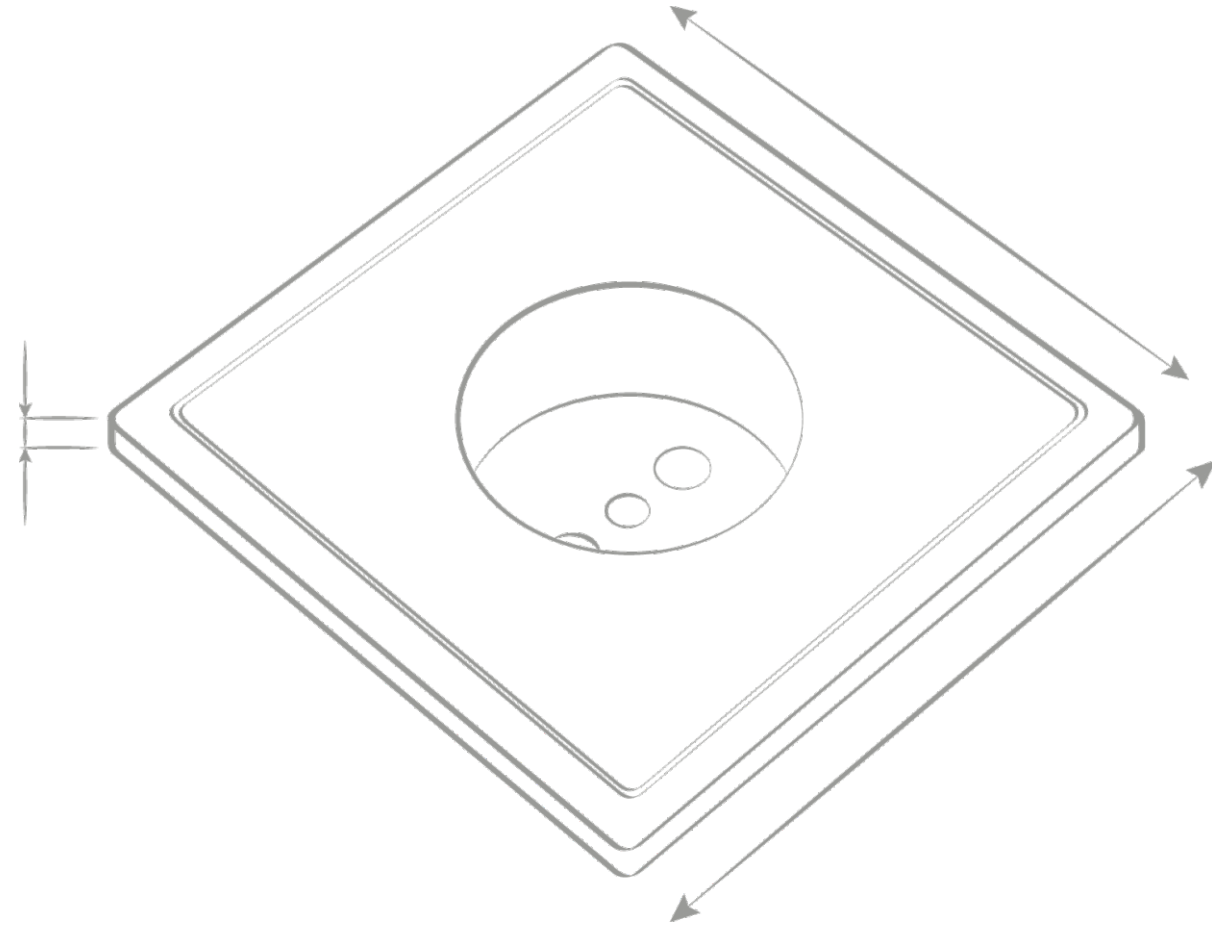


Nickel



Pure Black Matte
(Soft Touch)

FD SERIES PRODUCT CATALOG



Switches



One gang one way(1)
10AX 250V~
Item list

White Glossy	FD3011W
Pure White Matte(Soft Touch)	FD3011PWM
Sachara	FD3011SH
Pure Taupe Matte(Soft Touch)	FD3011PTM
Gold Bronze	FD3011BR
Nickel	FD3011NI
Pure Black Matte(Soft Touch)	FD3011PBM



Intermediate switch (7)
10AX 250V~
Item list

White Glossy	FD3013W
Pure White Matte(Soft Touch)	FD3013PWM
Sachara	FD3013SH
Pure Taupe Matte(Soft Touch)	FD3013PTM
Gold Bronze	FD3013BR
Nickel	FD3013NI
Pure Black Matte(Soft Touch)	FD3013PBM



One gang two way(6)
10AX 250V~
Item list

White Glossy	FD3012W
Pure White Matte(Soft Touch)	FD3012PWM
Sachara	FD3012SH
Pure Taupe Matte(Soft Touch)	FD3012PTM
Gold Bronze	FD3012BR
Nickel	FD3012NI
Pure Black Matte(Soft Touch)	FD3012PBM



One gang one way switch with LED light (1)
10AX 250V~
Item list

White Glossy	FD3011NW
Pure White Matte(Soft Touch)	FD3011NPWM
Sachara	FD3011NSH
Pure Taupe Matte(Soft Touch)	FD3011NPTM
Gold Bronze	FD3011NBR
Nickel	FD3011NNI
Pure Black Matte(Soft Touch)	FD3011NPBM

Switches



One gang two way switch with LED light (6)
10AX 250V~
Item list

White Glossy	FD3012NW
Pure White Matte(Soft Touch)	FD3012NPWM
Sachara	FD3012NSH
Pure Taupe Matte(Soft Touch)	FD3012NPTM
Gold Bronze	FD3012NBR
Nickel	FD3012NNI
Pure Black Matte(Soft Touch)	FD3012NPBM



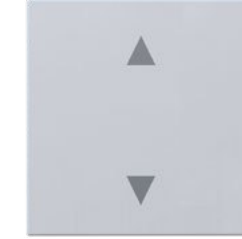
Two gang two circuit one way switch (5)
10AX 250V~
Item list

White Glossy	FD3023NW
Pure White Matte(Soft Touch)	FD3023NPWM
Sachara	FD3023NSH
Pure Taupe Matte(Soft Touch)	FD3023NPTM
Gold Bronze	FD3023NBR
Nickel	FD3023NNI
Pure Black Matte(Soft Touch)	FD3023NPBM



Two gang two circuit one way switch with LED (5)
10AX 250V~
Item list

White Glossy	FD3023W
Pure White Matte(Soft Touch)	FD3023PWM
Sachara	FD3023SH
Pure Taupe Matte(Soft Touch)	FD3023PTM
Gold Bronze	FD3023BR
Nickel	FD3023NI
Pure Black Matte(Soft Touch)	FD3023PBM



One gang shutter control switch
10AX 250V~
Item list

White Glossy	FD3018W
Pure White Matte(Soft Touch)	FD3018PWM
Sachara	FD3018SH
Pure Taupe Matte(Soft Touch)	FD3018PTM
Gold Bronze	FD3018BR
Nickel	FD3018NI
Pure Black Matte(Soft Touch)	FD3018PBM



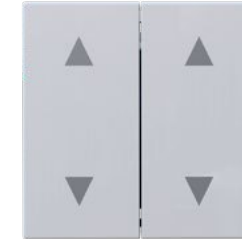
Two gang two way (6+6)
10AX 250V~
Item list

White Glossy	FD3022W
Pure White Matte(Soft Touch)	FD3022PWM
Sachara	FD3022SH
Pure Taupe Matte(Soft Touch)	FD3022PTM
Gold Bronze	FD3022BR
Nickel	FD3022NI
Pure Black Matte(Soft Touch)	FD3022PBM



Two Gang Intermediate Switch (7+7)
10AX 250V~
Item list

White Glossy	FD3014W
Pure White Matte(Soft Touch)	FD3014PWM
Sachara	FD3014SH
Pure Taupe Matte(Soft Touch)	FD3014PTM
Gold Bronze	FD3014BR
Nickel	FD3014NI
Pure Black Matte(Soft Touch)	FD3014PBM



Two gang shutter control switch
10AX 250V~
Item list

White Glossy	FD3028W
Pure White Matte(Soft Touch)	FD3028PWM
Sachara	FD3028SH
Pure Taupe Matte(Soft Touch)	FD3028PTM
Gold Bronze	FD3028BR
Nickel	FD3028NI
Pure Black Matte(Soft Touch)	FD3028PBM

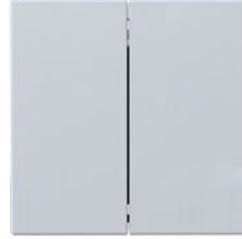


Bell switch (1T)
10AX 250V~
Item list

White Glossy	FD3010W
Pure White Matte(Soft Touch)	FD3010PWM
Sachara	FD3010SH
Pure Taupe Matte(Soft Touch)	FD3010PTM
Gold Bronze	FD3010BR
Nickel	FD3010NI
Pure Black Matte(Soft Touch)	FD3010PBM

Switches

Switches



Two gang two way with spring (Pulse switch)
10AX 250V~
Item list

White Glossy	FD3020W
Pure White Matte(Soft Touch)	FD3020PWM
Sachara	FD3020SH
Pure Taupe Matte(Soft Touch)	FD3020PTM
Gold Bronze	FD3020BR
Nickel	FD3020NI
Pure Black Matte(Soft Touch)	FD3020PBM



Key card switch
10AX 250V~
Item list

White Glossy	FD6209W
Pure White Matte(Soft Touch)	FD6209PWM
Sachara	FD6209SH
Pure Taupe Matte(Soft Touch)	FD6209PTM
Gold Bronze	FD6209BR
Nickel	FD6209NI
Pure Black Matte(Soft Touch)	FD6209PBM



Blank plate
10AX 250V~
Item list

White Glossy	FD8001W
Pure White Matte(Soft Touch)	FD8001PWM
Sachara	FD8001SH
Pure Taupe Matte(Soft Touch)	FD8001PTM
Gold Bronze	FD8001BR
Nickel	FD8001NI
Pure Black Matte(Soft Touch)	FD8001PBM

Sockets



Schuko socket with children shutter protection
16AX 250V~
Item list

White Glossy	FD5501W
Pure White Matte(Soft Touch)	FD5501PWM
Sachara	FD5501SH
Pure Taupe Matte(Soft Touch)	FD5501PTM
Gold Bronze	FD5501BR
Nickel	FD5501NI
Pure Black Matte(Soft Touch)	FD5501PBM



Schuko Socket with Cover
16AX 250V~2P+T
Item list

White Glossy	FD5505W
Pure White Matte(Soft Touch)	FD5505PWM
Sachara	FD5505SH
Pure Taupe Matte(Soft Touch)	FD5505PTM
Gold Bronze	FD5505BR
Nickel	FD5505NI
Pure Black Matte(Soft Touch)	FD5505PBM



Schuko Socket with USB A+C
16AX 250V~2P+T USB 25W
Item list

White Glossy	FD5501USB-25W
Pure White Matte(Soft Touch)	FD5501USB-25PWM
Sachara	FD5501USB-25SH
Pure Taupe Matte(Soft Touch)	FD5501USB-25PTM
Gold Bronze	FD5501USB-25BR
Nickel	FD5501USB-25NI
Pure Black Matte(Soft Touch)	FD5501USB-25PBM



Single TV socket (Terminal)
TV Φ 9.5mm
Item list

White Glossy	FD6001W
Pure White Matte(Soft Touch)	FD6001PWM
Sachara	FD6001SH
Pure Taupe Matte(Soft Touch)	FD6001PTM
Gold Bronze	FD6001BR
Nickel	FD6001NI
Pure Black Matte(Soft Touch)	FD6001PBM

Telecommunications Sockets



Single TV socket (Terminal)
TV Φ9.5mm

Item list

White Glossy	FD6002W
Pure White Matte(Soft Touch)	FD6002PWM
Sachara	FD6002SH
Pure Taupe Matte(Soft Touch)	FD6002PTM
Gold Bronze	FD6002BR
Nickel	FD6002NI
Pure Black Matte(Soft Touch)	FD6002PBM



TV+FM socket (Terminal)
TV-FM Φ9.5mm

Item list

White Glossy	FD6204W
Pure White Matte(Soft Touch)	FD6204PWM
Sachara	FD6204SH
Pure Taupe Matte(Soft Touch)	FD6204PTM
Gold Bronze	FD6204BR
Nickel	FD6204NI
Pure Black Matte(Soft Touch)	FD6204PBM



TV+FM+SAT socket (Intermediate)
TV-FM+SAT Φ9.5mm

Item list

White Glossy	FD6207W
Pure White Matte(Soft Touch)	FD6207PWM
Sachara	FD6207SH
Pure Taupe Matte(Soft Touch)	FD6207PTM
Gold Bronze	FD6207BR
Nickel	FD6207NI
Pure Black Matte(Soft Touch)	FD6207PBM



Computer socket 2 x RJ45 (Cat6)
RJ45(8/8)

Item list

White Glossy	FD6108W
Pure White Matte(Soft Touch)	FD6108PWM
Sachara	FD6108SH
Pure Taupe Matte(Soft Touch)	FD6108PTM
Gold Bronze	FD6108BR
Nickel	FD6108NI
Pure Black Matte(Soft Touch)	FD6108PBM



TV+FM socket (Intermediate)
TV-FM Φ9.5mm

Item list

White Glossy	FD6205W
Pure White Matte(Soft Touch)	FD6205PWM
Sachara	FD6205SH
Pure Taupe Matte(Soft Touch)	FD6205PTM
Gold Bronze	FD6205BR
Nickel	FD6205NI
Pure Black Matte(Soft Touch)	FD6205PBM



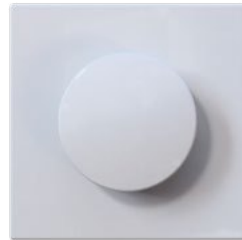
TV+FM+SAT socket (Terminal)
TV-FM+SAT Φ9.5mm

Item list

White Glossy	FD6206W
Pure White Matte(Soft Touch)	FD6206PWM
Sachara	FD6206SH
Pure Taupe Matte(Soft Touch)	FD6206PTM
Gold Bronze	FD6206BR
Nickel	FD6206NI
Pure Black Matte(Soft Touch)	FD6206PBM

Telecommunications Sockets

Dimmer

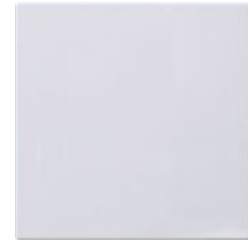


Dimmer 30~400W
one gang two way
230V~50Hz 30~400W

Item list

White Glossy	FD4012W-500RV
Pure White Matte(Soft Touch)	FD4012PWM-500PL
Sachara	FD4012SH-500PL
Pure Taupe Matte(Soft Touch)	FD4012PTM-500PL
Gold Bronze	FD4012BR-500PL
Nickel	FD4012NI-500PL
Pure Black Matte(Soft Touch)	FD4012PBM-500PL

Connection Unit

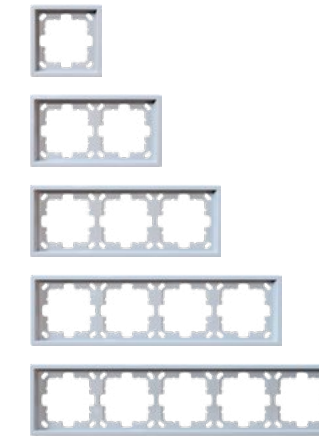


Connection unit

Item list

White Glossy	FD8210W
Pure White Matte(Soft Touch)	FD8210PWM
Sachara	FD8210SH
Pure Taupe Matte(Soft Touch)	FD8210PTM
Gold Bronze	FD8210BR
Nickel	FD8210NI
Pure Black Matte(Soft Touch)	FD8210PBM

FD Series Frame (PC Material)



	1 gang	2 gang	3 gang	4 gang	5 gang
White Glossy	FD1001W	FD1002W	FD1003W	FD1004W	FD1005W
Pure White Matte(Soft Touch)	FD1001PWM	FD1002PWM	FD1003PWM	FD1004PWM	FD1005PWM
Sachara	FD1001SH	FD1002SH	FD1003SH	FD1004SH	FD1005SH
Pure Taupe Matte(Soft Touch)	FD1001PTM	FD1002PTM	FD1003PTM	FD1004PTM	FD1005PTM
Gold Bronze	FD1001BR	FD1002BR	FD1003BR	FD1004BR	FD1005BR
Nickel	FD1001NI	FD1002NI	FD1003NI	FD1004NI	FD1005NI
Pure Black Matte(Soft Touch)	FD1001PBM	FD1002PBM	FD1003PBM	FD1004PBM	FD1005PBM

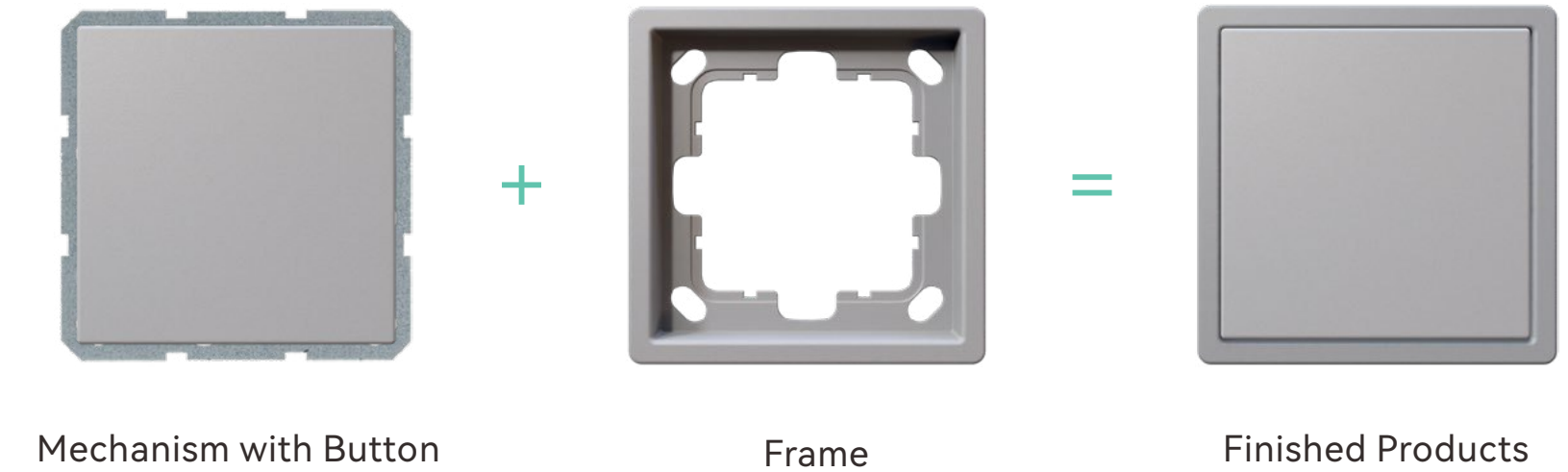


What the finished product includes

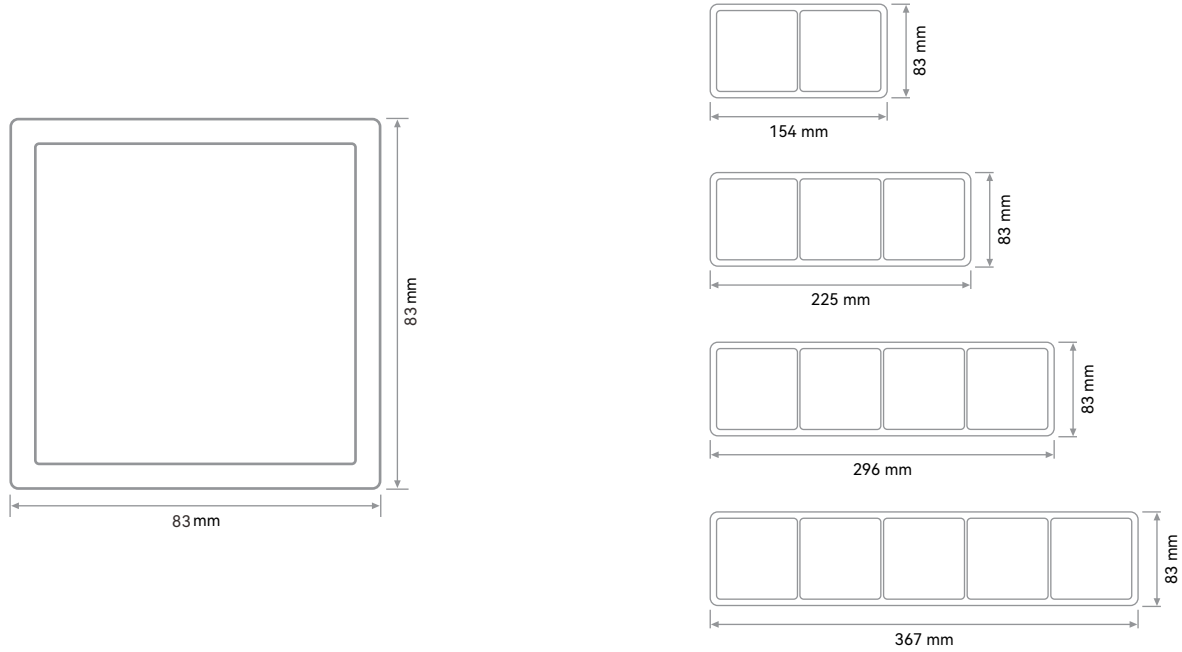
Any electrical installation product consists of three key elements:

- Mechanism
- Frame
- Button or Cover*

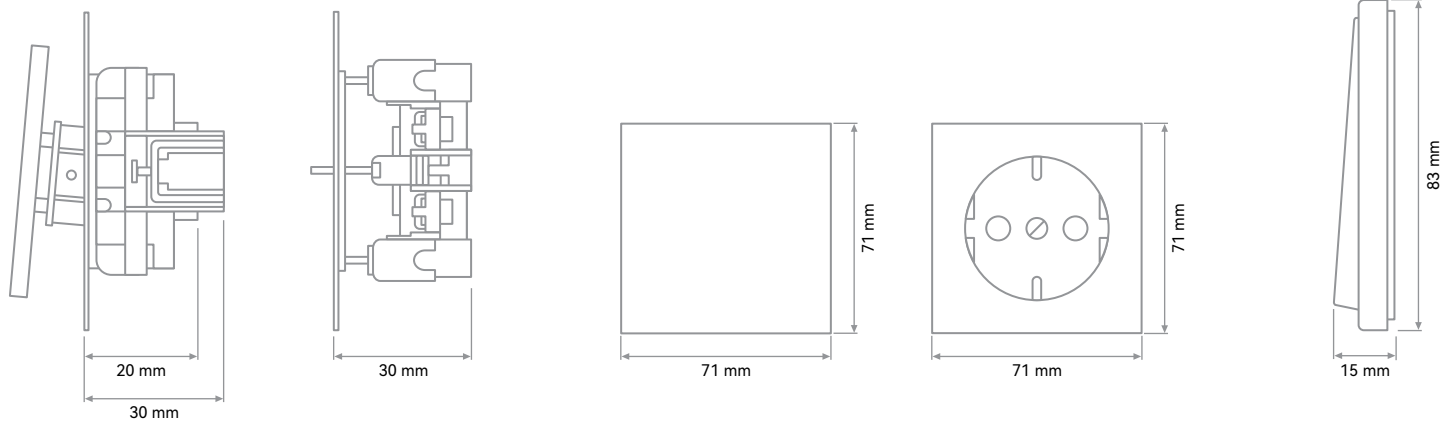
* Covers with mechanisms are supplied as a set



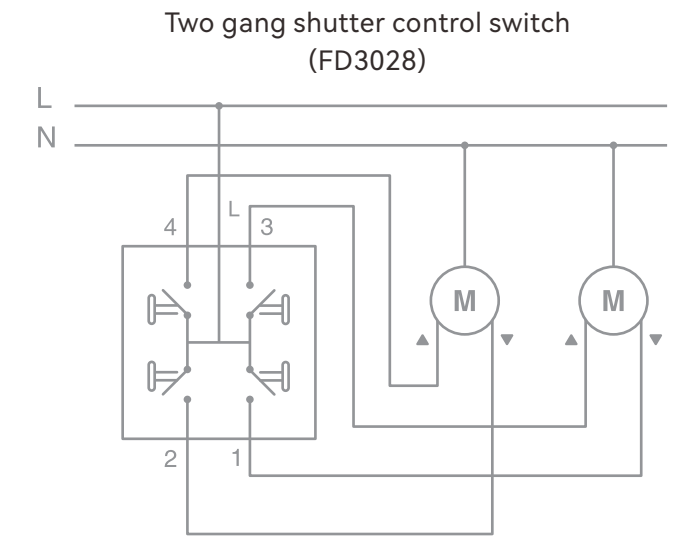
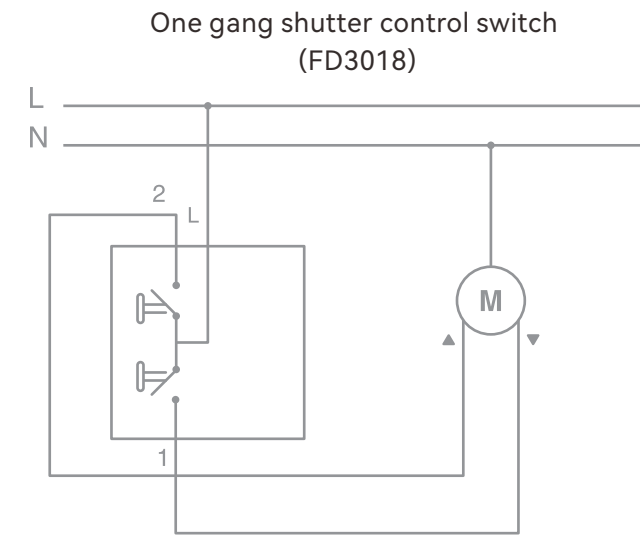
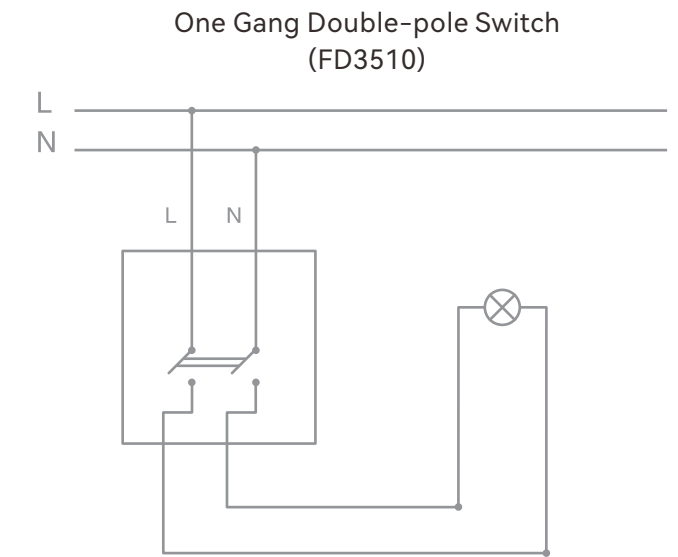
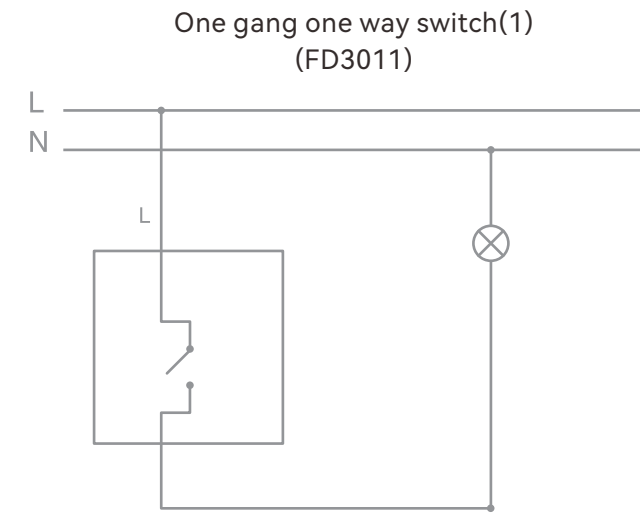
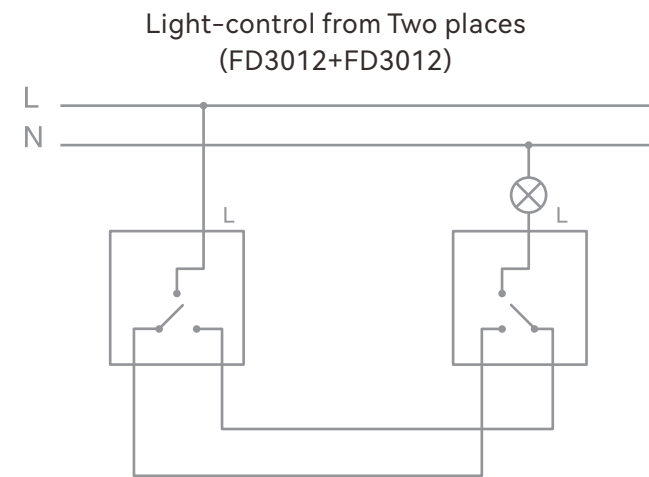
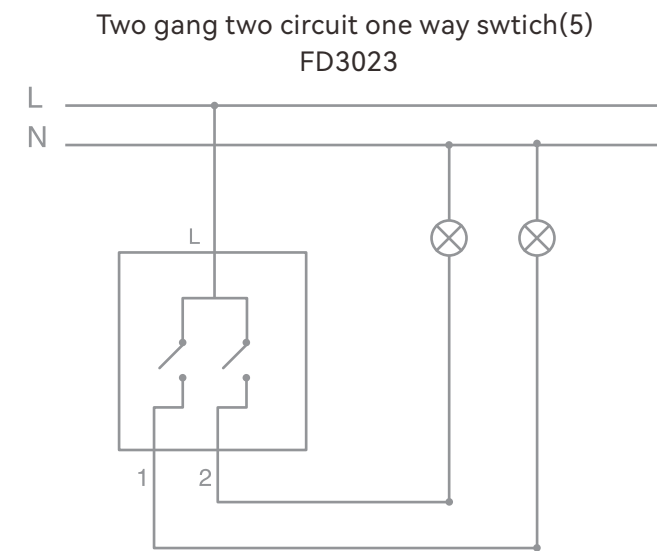
FD series FRAME DIMENSIONS



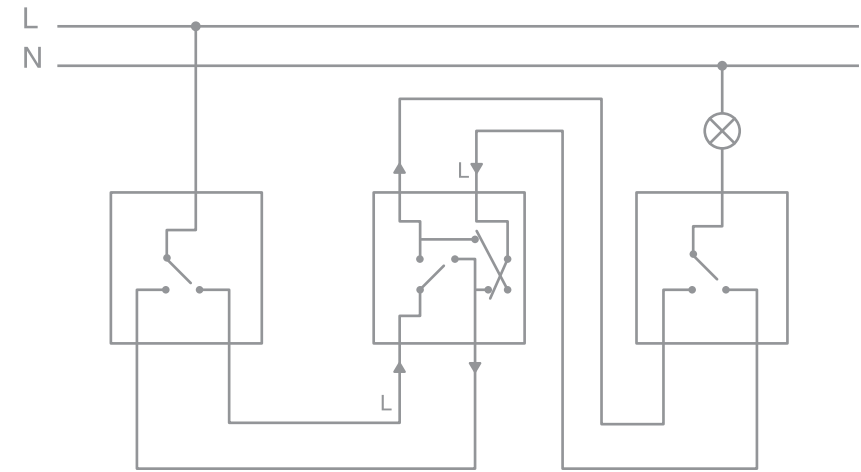
External Dimensions of Products



Circuit Diagram



Lighting control from three Places
(FD3012+FD3013+FD3012)



Wiring diagram for three locations using two gang crossing switches
(FD3022+FD3014+FD3022)

